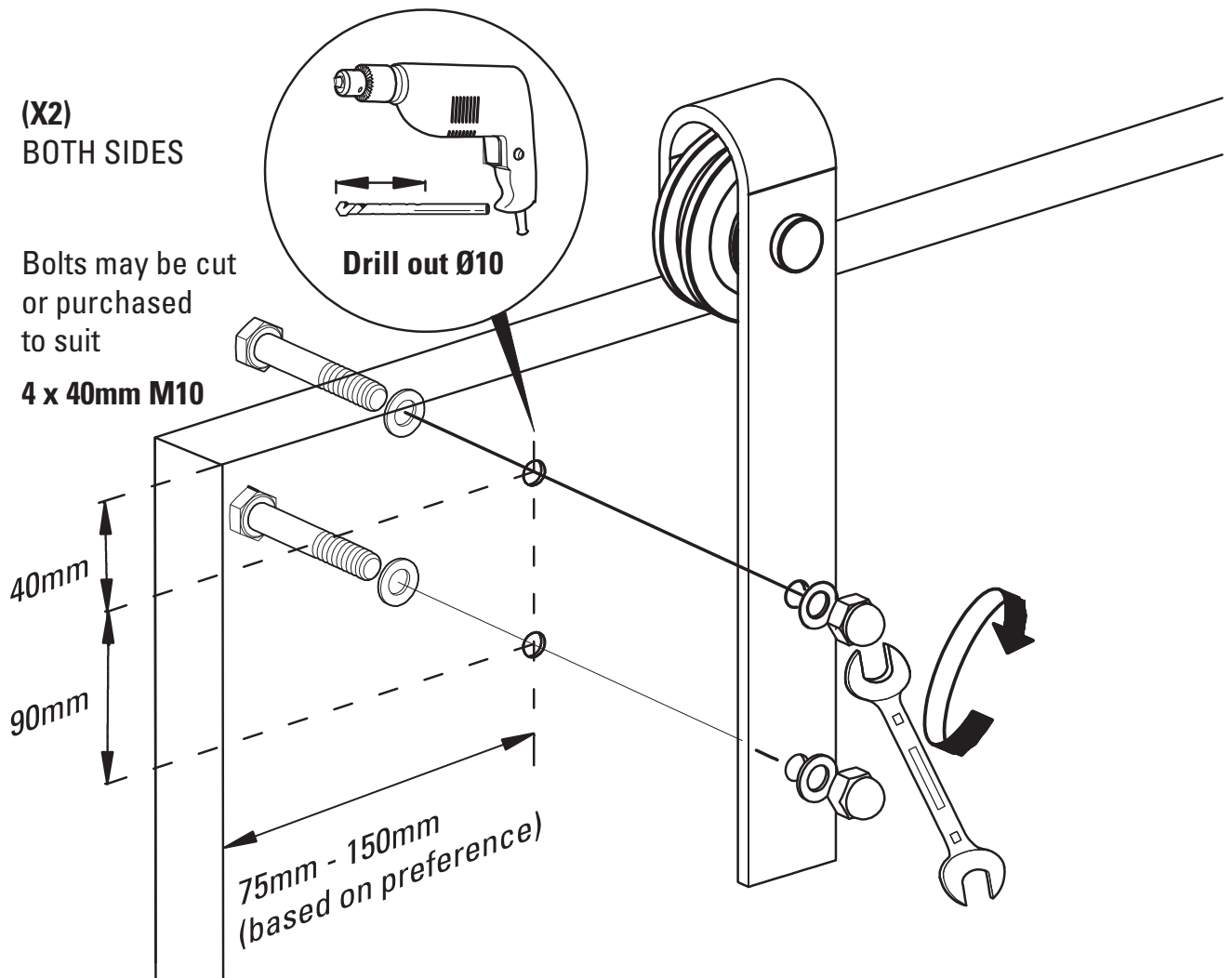


MODERN SLIDING BARN DOOR

INSTALLATION GUIDELINES



Considerations

- This is a prefinished door - no painting required
- Suitable for face mount fixing only (no top mount)
- When purchasing your track system, M10 hanging bolts may require cutting for 18mm and 25mm door thickness (hacksaw suitable). Alternatively, purchase 4 x 40mm M10 Bolts for 18mm door and 4 x 50mm M10 bolts for 25mm

Note

- inBuilt doors do not have a groove on the bottom part of the door due to the variety of barn door tracks available, and size variation in floor guides. If you do not wish to use a T-floor guide, please ensure the appropriate size groove is cut to suit the floor guide being used at time of installation. Please note: most track system kits have a U or C floor guide as an option, eliminating the need to cut grooves.